

Y STRAINER

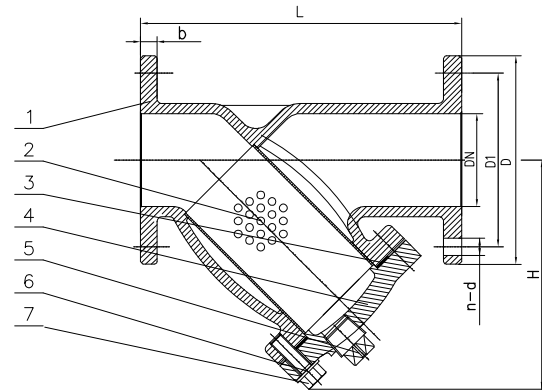


MODEL: SD-YS300FF-D

- Working pressure: 300 psi
- Connection ends: Flange to ASME B16.1 Class 125
- Temperature range: 0°C to 80°C Rubber Gasket
-10°C to 350°C Graphite Gasket
- Coating: Fusion bonded epoxy coating internally and externally in accordance with ANSI/AWWA C550



PART NO.	PART NAME	ASTM SPEC.
1	Valve Body	ASTM A536, 65-45-12
2	Screen	AISI 304
3	Gasket	EPDM
4	Bonnet	ASTM A536, 65-45-12
5	Plug	Bronze ASTM B584
6	Bolt	Carbon Steel Zinc Plated
7	Flat Washer	Carbon Steel Zinc Plated



Size	L	D	D1	b	nxd	H	Net. Wt. Kg.	Screen Details		
								Screen hole diameter	Sieve No.	Free flow area (%)
2"	200	152	120.5	16	4 x19.1	155	8.70	4	25	48
2½"	254	178	139.5	17.5	4 x19.1	165	12.20	4	25	48
3"	257	191	152.5	19	4 x19.1	180	13.84	5	19	59
4"	308	229	190.5	24	8 x19.1	229	23.88	5	19	59
5"	397	254	216	24	8 x 22.2	285	43.79	6	14	63
6"	470	279	241.5	25.5	8 x 22.2	311	43.79	6.3	13	64
8"	549	343	298.5	28.5	8 x 22.2	394	75.27	6.3	13	64
10"	654	406	362	30.5	12 x 25.4	487	109.25	6.3	13	64
12"	759	483	432	32	12 x 25.4	547	173.10	6.3	13	64

Unit : mm