

BALL VALVE

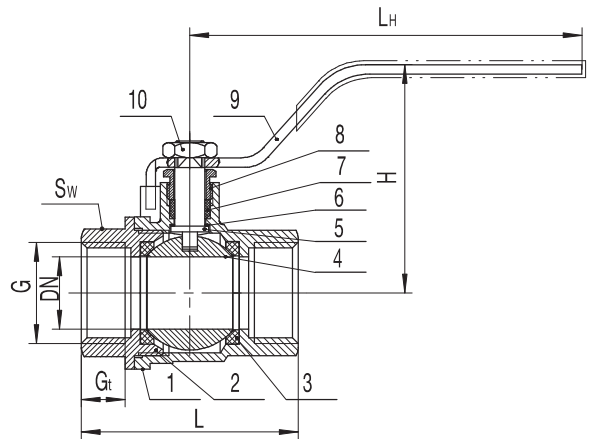
MODEL: SD-BLVT95



- Female/female threads.
- Lever handle in steel
- Full Port Valve
- C37700 or C46500 Brass or Nickel plated
- Working Temperature : -20°C to 110°C
- Threads: NPT
- Max. Working Pressure at 20°C with water
 - 42 Bar for ¼" to 2"
 - 28 bar for 2½" to 4"



No.	Description	Material	Size	K Factor
1	Valve Body	Brass	¼"	6.6
2	Bonnet	Brass	⅜"	6.7
3	Seal	Teflon - PTFE	½"	10.2
4	Ball	Chrome Plated Brass	¾"	18.5
5	Stem	Brass	1"	36.3
6	Seal Ring	Teflon - PTFE	1¼"	73.5
7	Stem Packing		1½"	105
8	Gland Screw	Brass	2"	158
9	Handle	Steel	2½"	240
10	Nut	Steel	3"	269
			4"	461



Size	¼"	⅜"	½"	¾"	1"	1¼"	1½"	2"	2½"	3"	4"
DN	10	10	14.5	19.5	24.5	32	40	50	64	79	99
L	44	44	57	63	75.5	86.5	94.2	108	136	160.5	185
H	46	46	51.5	61	63.5	70	94	102	115	126	141
SW	20.5	20.5	25	31	38	47	53	65	85	100	124
Gt	9.5	9.5	15.5	16	19	19.5	19.5	20	23.5	27	28
LH	89	89	89	104	117.5	117.5	145	145	232	232	232
GNPT	18	18	14	14	11.5	11.5	11.5	11.5	8	8	8

Unit : mm