

SA-EVR



OMEGA R

Product Overview

Designed and manufactured to the highest standards in a quality controlled environment the SHIELD Omega-R fire alarm repeater provides a simple and convenient method of extending the controls and indications of the SHIELD Omega fire alarm control panel to other locations.

The large, graphic liquid crystal display and high brightness LED indicators duplicate the indications on the SHIELD Omega fire alarm control panel at up to 15 additional locations via a simple, two-wire serial data connection.

The SHIELD Omega-R is powered by 24 V DC (which can be via an additional 2 conductors from the control panel or local 24 V DC listed supply).

SHIELD Omega-R is housed in a small enclosure which is styled similarly to the SHIELD Omega control panel and is ideal for installations where a large control panel would be detrimental to décor such as entrance halls.

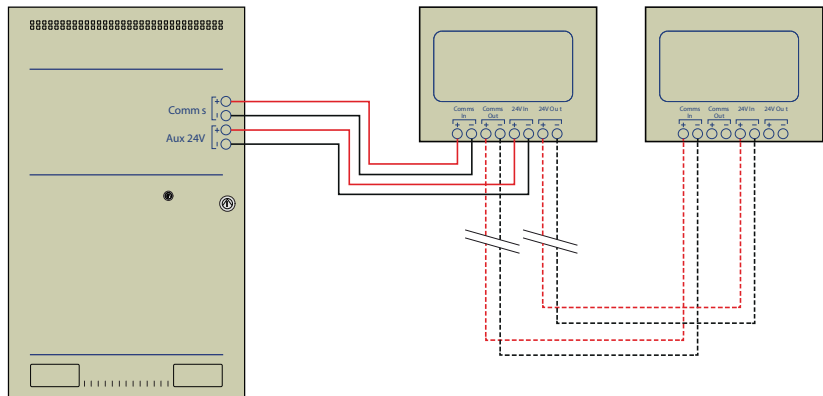
Up to 15 SHIELD Omega-R annunciators can be connected to each control panel on the Omega network making Omega-R ideal where multiple points of indication and/or control are required such as nurses stations or shop units.

Addressable Repeater Panel

Standard Features

- Available in Red.
- Up to 15 annunciators can be connected to each SHIELD Omega fire control panel.
- Large liquid crystal display (240x64 pixels).
- High brightness LED indications.
- Internal sounder.
- Replicates all panel controls.
- Simple, two-wire serial connection.
- Small, style enclosure.
- Removable electronics for easy installation.
- 24 V DC powered.
- Low power consumption.
- Multi language options.
- Connection supervised by SHIELD Omega fire control panel.

SHIELD Omega series control panel



Note: Specifications are subject to change without notice

Technical Data

| | |
|--|---|
| Construction | 1.2 mm Mild Sheet Steel |
| Cable Entry | 4 Knockouts In Back Of Box |
| Finish | RAL3002 (Red) or BS00A05 (Grey) |
| Power Supply DC Rating | 21 to 30 V DC |
| Maximum Ripple Current | 200 Millivolts |
| Quiescent Current Of Panel in Mains Fail | 0.03 A |
| Serial Data Connection | 2 Core RS485 (Up to 1200 metres total cable length) |
| Maximum Terminal Capacity | 12 AWG |
| Dimensions (W x H x D) | 263 mm x 191 mm x 42 mm |
| Weight | 1600 g |

Ordering Information

| | |
|--------|-------------------------------|
| SA-EVR | Omega-R Repeater Panel (RED) |
| SA-EVG | Omega-R Repeater Panel (GREY) |

Note: Specifications are subject to change without notice

