

S-A4025

Open-Area Sounder Beacon



SHIELD UL Open-Area Sounder Beacon makes full use of the protocol and has been designed for use in indoor, outdoor and open-areas. When the fire system is being commissioned, a Magnetic Wand can be used to adjust and test each sounder locally.

- 15 tone pairs.
- Sounder and beacon are independently configurable.
- Volume and tone settings are independently selectable from the control panel.
- Tones can be used for other purposes in addition to warning of fire, making the device ideal for use in schools etc.
- Soft start option, ideal for hospitals and nursing homes.
- Group and individual control for increased response time.

Technical Data

Operating Voltage	17 - 28 V DC		
Sounder Operating	Variable		
Maximum Low Current at 24 V	Normal Standby	<	750 μA
	Operated	28 V Highest	Audibility 5.4 mA
	Operated Switch On Surge	<	2.6 mA for IS
IP rating	65		

Ordering Information

S-A4025	Open-Area Sounder Visual Indicator (RED)
---------	--

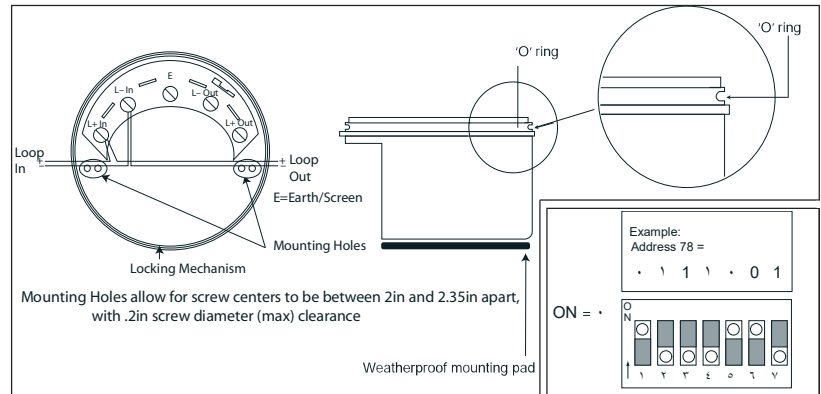


Fig 1. Wiring diagram

Fig 2. Example of Address

Note: Specifications are subject to change without notice